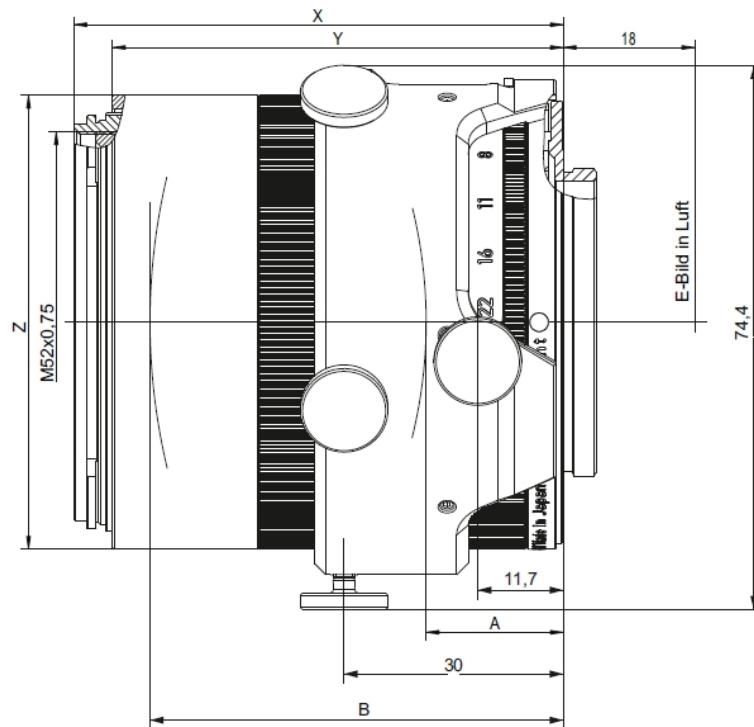




ZEISS Interlock Compact 2/35

Technical Specifications



X	Y	Z	A	B
53.98 mm (inf.)	49.4 mm	Ø = 62.0 mm	2.66 mm (inf.)	50.37 mm (inf.)

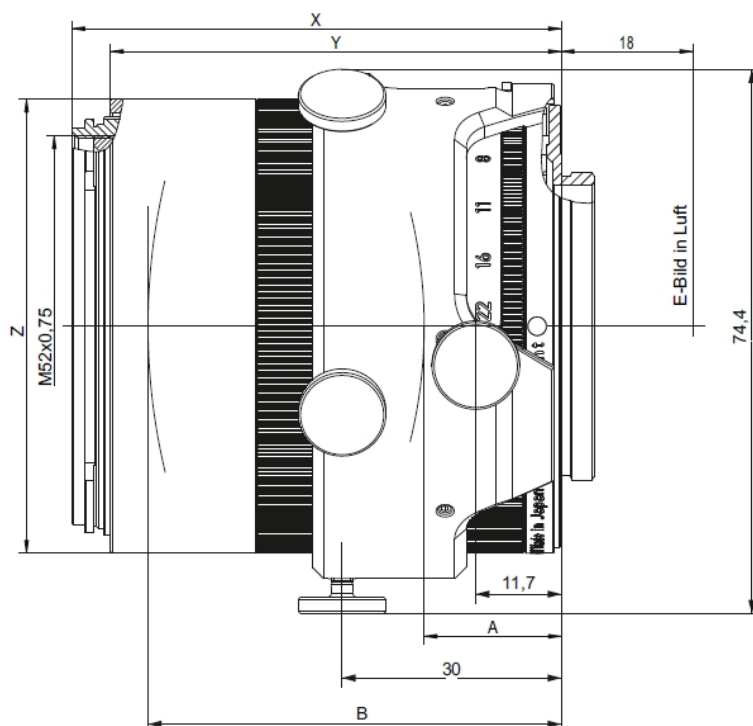
Focal length	35 mm
Aperture range	f/2.0 – f/22
Number of elements / groups	9 / 6
Min. working distance (object to sensor)	300 mm (0.98 ft.) – ∞
Min. free working distance	230 mm (0.75 ft.) – ∞
Angular field* (diag. / horiz. / vert.)	63 / 54 / 38°
Max. diameter of image field	43.0 mm (1.7")
Flange focal length	18.0 mm
Coverage at close range	208 x 139 mm (8.2 x 5.5"), line 237 mm (9.3")
Image ratio at close range	1:5.8
Filter-thread	M 52 x 0.75
Weight	394 g (0.87 lbs.)
Camera mount	M42 (18.0 mm FFD)

* referring to 24 x 36 mm format resp. 43 mm line



ZEISS Interlock Compact 2/50

Technical Specifications



X	Y	Z	A	B
54.0 mm (inf.)	49.4 mm	∅ = 62.0 mm	11.72 mm (inf.)	52.61 mm (inf.)

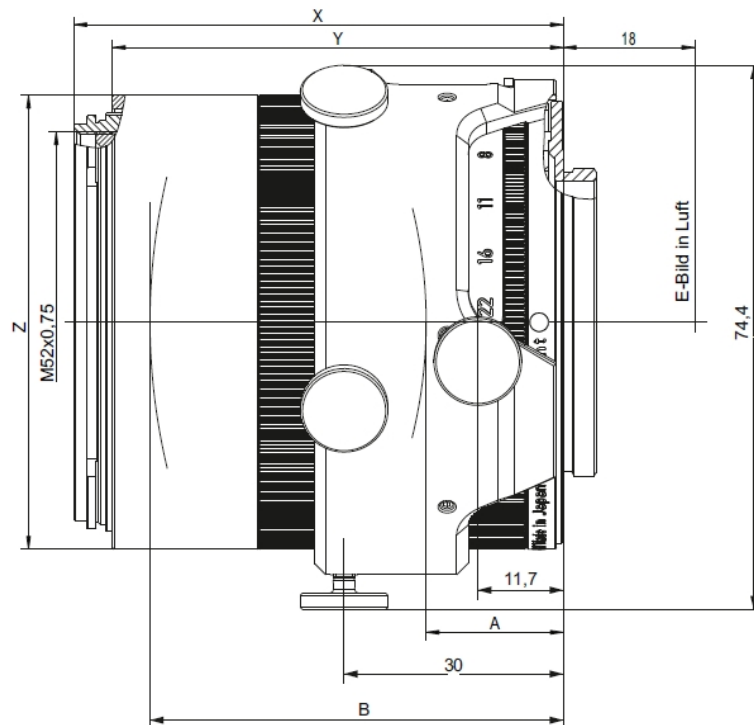
Focal length	50 mm
Aperture range	f/2 – f/22
Number of elements / groups	6 / 4
Min. working distance (object to sensor)	450 mm (1.47 ft.) – ∞
Min. free working distance	370 mm (1.21 ft.) – ∞
Angular field* (diag. / horiz. / vert.)	46 / 39 / 26°
Max. diameter of image field	43 mm (1.7")
Flange focal length	18,0 mm
Coverage at close range	248 x 165 mm (9.7 x 6.5"), line 282 mm (11.1")
Image ratio at close range	1:6.9
Filter-thread	M 52 x 0.75
Weight	374 g (0.8 lbs.)
Camera mount	M42 (18.0 mm FFD)

* referring to 24 x 36 mm format resp. 43 mm line



ZEISS Interlock Compact 2.4/85

Technical Specifications



X	Y	Z	A	B
89.77 mm (inf.)	84.5 mm	∅ = 62.5 mm	9.65 mm (inf.)	82.15 mm (inf.)

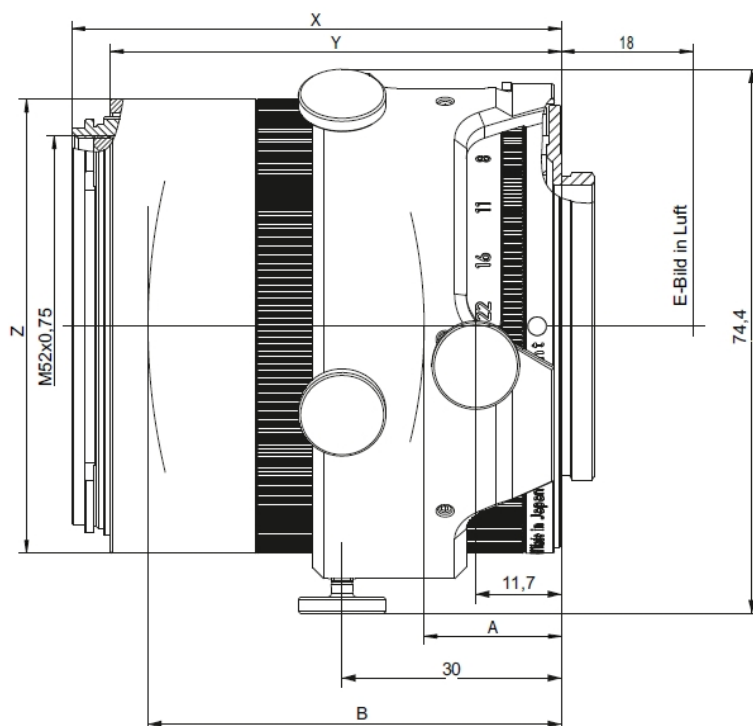
Focal length	85 mm
Aperture range	f/2.4 – f/22
Number of elements / groups	7 / 7
Min. working distance (object to sensor)	800 mm (2.62 ft.) – ∞
Min. free working distance	685 mm (2.25 ft.) – ∞
Angular field* (diag. / horiz. / vert.)	28.6 / 24.1 / 16.2°
Max. diameter of image field	43.0 mm (1.7")
Flange focal length	18.0 mm
Coverage at close range	258 x 172 mm (10.1 x 6.8"), line 296 mm (11.6")
Image ratio at close range	1:7.2
Filter-thread	M 52 x 0.75
Weight	648 g (1.43 lbs.)
Camera mount	M42 (18.0 mm FFD)

* referring to 24 x 36 mm format resp. 43 mm line



ZEISS Interlock Compact 2.8/21

Technical Specifications



X	Y	Z	A	B
67.0 mm (inf.)	61.7 mm	Ø = 62.0 mm	1.14 mm (inf.)	65.45 mm (inf.)

Focal length	21 mm
Aperture range	f/2.8 – f/22
Number of elements / groups	11 / 9
Min. working distance (object to sensor)	250 mm (0.82 ft.) – ∞
Min. free working distance	160 mm (0.52 ft.) – ∞
Angular field* (diag. / horiz. / vert.)	91 / 81 / 59°
Max. diameter of image field	43.3 mm (1.7")
Flange focal length	18.0 mm
Coverage at close range	281 x 187 mm (11.0 x 7.3"), line 319 mm (12.5")
Image ratio at close range	1:7.81
Filter-thread	M 52 x 0.75
Weight	448 g (1.0 lbs.)
Camera mount	M42 (18.0 mm FFD)

* referring to 24 x 36 mm format resp. 43 mm line